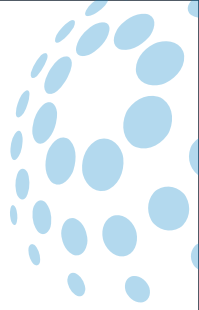


# Osirion 5 RGBW

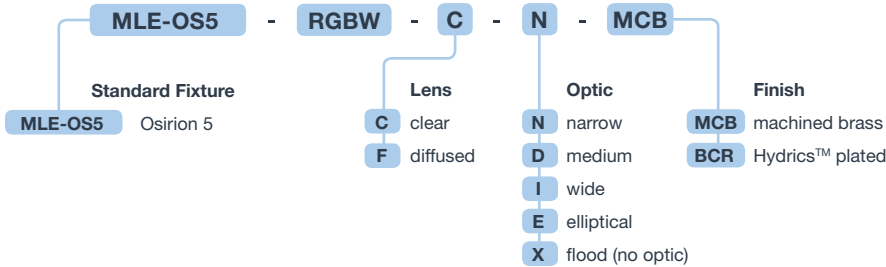


LED INGROUND UPLIGHT

ILLUMINATE YOUR WORLD

## Specification Code

Example showing how to specify a Osirion 5 luminaire.



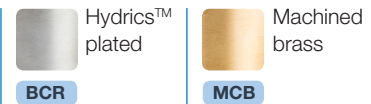
## Specifications

IP rating	Ingress Protection - IP68
Materials & finish	thermally optimised DZR brass optional Hydrics™ plated finish
Lens	clear or diffused 8mm tempered glass
Light source	CREE™ MC-E quad chip RGBW LED
CRI	variable depending on colour mix
Performance	> 70% lumen maintenance at 50,000 hours
Optic (FWHM)	narrow 19°, medium 26°, wide 35°, elliptical 45° x 15° flood > 100° (no optic) offers the widest distribution
Efficacy	up to 100 lumens per watt
Power	5 watts total
Control	DMX 512 or DALI (using the DALI to DMX bridge)
Power supply	<b>Optimo QUAD™</b> MLE-OM-DMX4 4 Channels / 1 Group 12 luminaires

All dimensions shown are in millimetres (mm)



### FINISH OPTIONS



## Accessories

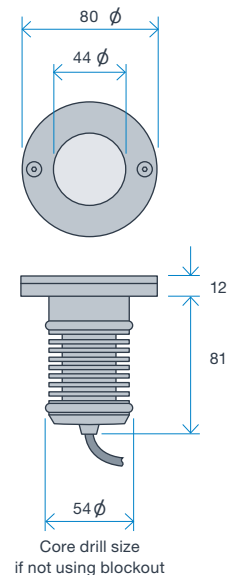
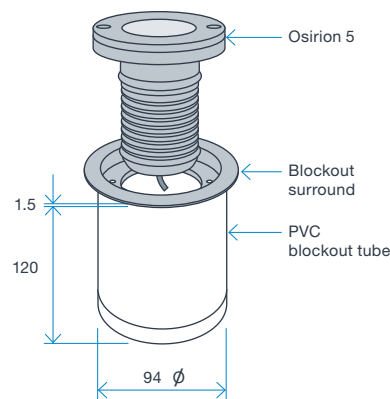


**MEGABAY PCB LINK BOARD**  
**MLE-RGBW-LK**



**MEGABAY 10 CORE CABLE**  
**MLE-RGBW-?M**

### OPTIONAL ROUND BLOCKOUT



For the latest information visit - [www.megabay.com/osirion](http://www.megabay.com/osirion)

Specifications are subject to change without notice. CREE™ is a registered trademark of CREE Inc.

MLE-OS5-RGBW

Rev 03