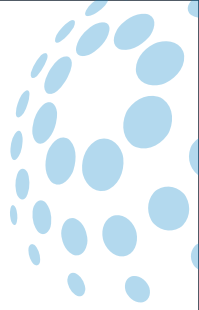


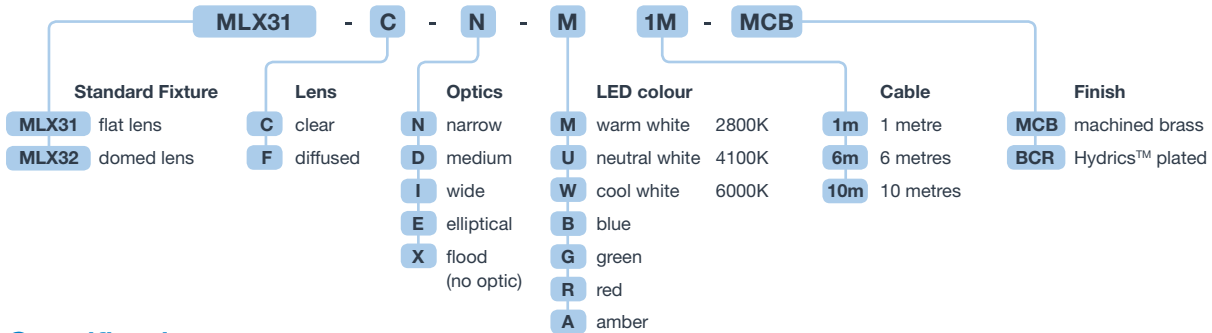
Omnyx 2 & Base plate



MINATURE LED ACCENT LIGHT

ILLUMINATE YOUR WORLD

Specification Code Example showing how to specify a Omnyx 2 luminaire.



Specifications

IP rating	Ingress Protection - IP68		
Materials & finish	thermally optimised DZR brass optional Hydrics™ plated finish		
Lens	clear or diffused, 5mm flat tempered glass or 11mm domed tempered glass		
Light source	CREE™ XP LED available in blue, green, red, amber &		
	warm white 2800K	neutral white 4100K	cool white 6000K
CRI	85 ~ 90	80 ~ 85	75
Luminous intensity	up to 120 lumens. IES photometric files available > 75% lumen maintenance at 50,000 hours		
Optic (FWHM)	narrow 14°, medium 29°, wide 38°, elliptical 44° x 12° flood > 100° (no optic) offers the widest distribution		
Efficacy	up to 100 lumens per watt depending on colour temp.		
Power	1.2 watts total including integral VDI™ driver		
VDI™ driver technology	integral low voltage constant current driver can compensate for voltage drop and fluctuations		
Operating Temperature	-20°C to +50°C		
Control	non dimmable		
Power supply	Optimo toroidal transformer 25V AC output can power the following number of luminaires :		
	MLE-OT-100 1 - 80 luminaires		
	MLE-OT-200 1 - 160 luminaires		

FINISH OPTIONS



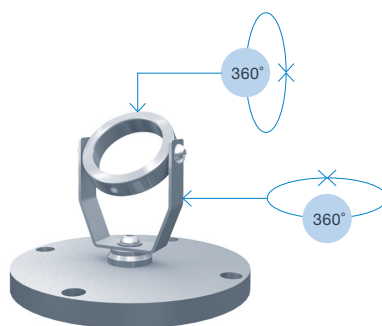
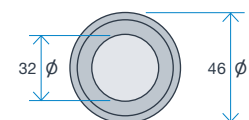
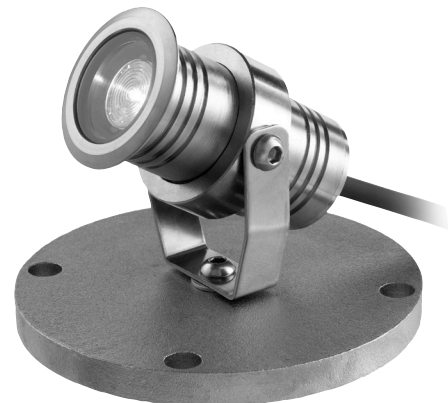
Hydrics™
plated

BCR

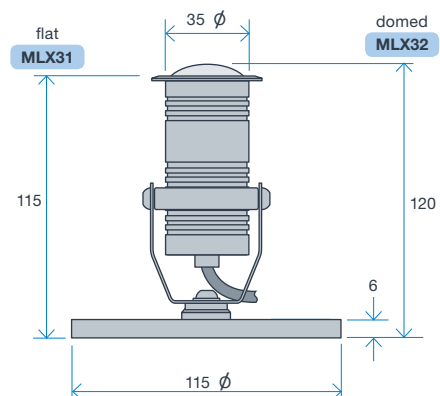


Machined
brass

MCB



BRACKET & BASE PLATE



For the latest information visit - www.megabay.com/omnyx

Specifications are subject to change without notice. CREE™ is a registered trademark of CREE Inc.

MLX30

Rev 03