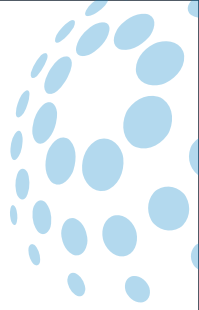


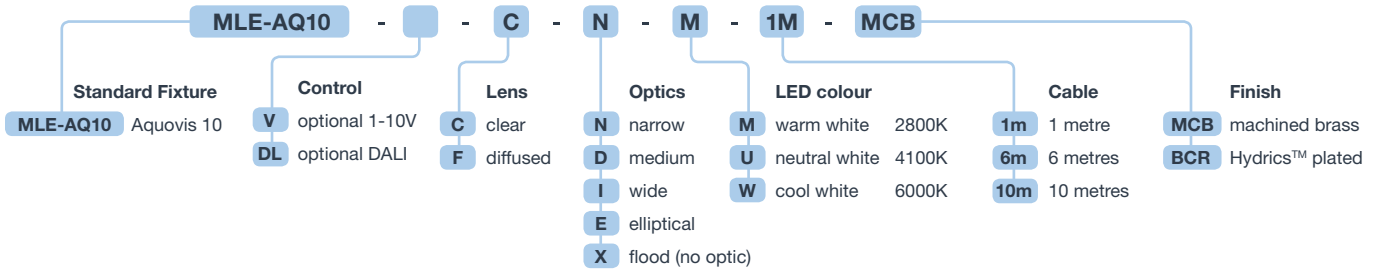
Aquovis 10



LED UNDERWATER LIGHT

ILLUMINATE YOUR WORLD

Specification Code Example showing how to specify a Aquovis 10 luminaire.



Specifications

IP rating	Ingress Protection - IP68		
Materials & finish	thermally optimised DZR brass optional Hydrics™ plated finish		
Lens	clear or diffused 6mm tempered glass		
Light source	CREE™ MC-E quad chip LED available in		
	warm white 2800K	neutral white 4100K	cool white 6000K
CRI	85 ~ 90	80 ~ 85	75
Luminous intensity	up to 900 lumens. IES photometric files available > 70% lumen maintenance at 50,000 hours		
Optic (FWHM)	narrow 19°, medium 26°, wide 35°, elliptical 45° x 15° flood > 100° (no optic) offers the widest distribution		
Efficacy	up to 90 lumens per watt depending on colour temp.		
Power	10 watts total including integral VDi™ driver		
VDi™ driver technology	integral low voltage constant current driver can compensate for voltage drop and fluctuations		
VDi™ thermal intelligence	optimal LED junction temperatures are maintained if the water temperature exceeds 30° Celsius		
Control	optional 1-10 volt analogue or DALI digital		
Power supply	Optimo toroidal transformer 25V AC output can power the following number of luminaires :		
	MLE-OT-100	1 - 10 luminaires	
	MLE-OT-200	1 - 20 luminaires	

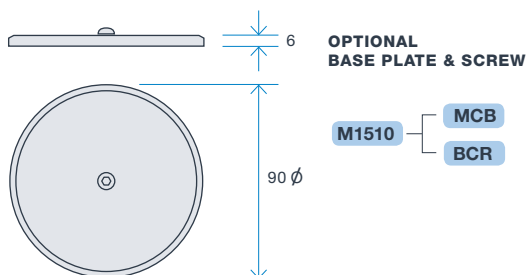


Optional M1510 base plate shown

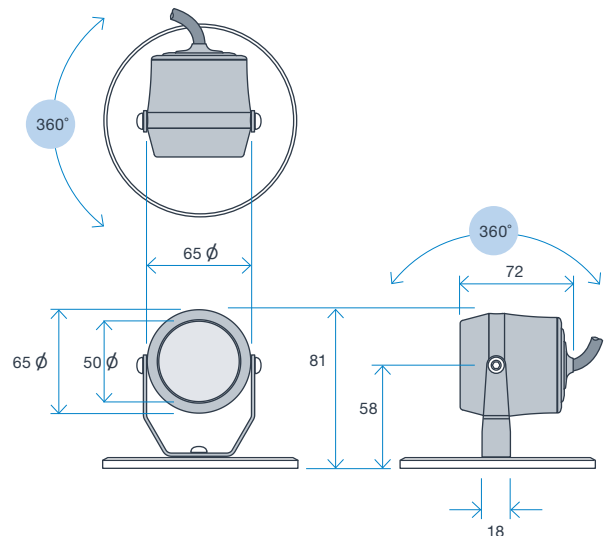
FINISH OPTIONS

- Hydrics™ plated (BCR)
- Machined brass (MCB)

Accessories



All dimensions shown are in millimetres (mm)



For the latest information visit - www.megabay.com/aquovis

Specifications are subject to change without notice. CREE™ is a registered trademark of CREE Inc.